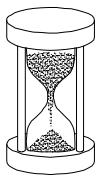
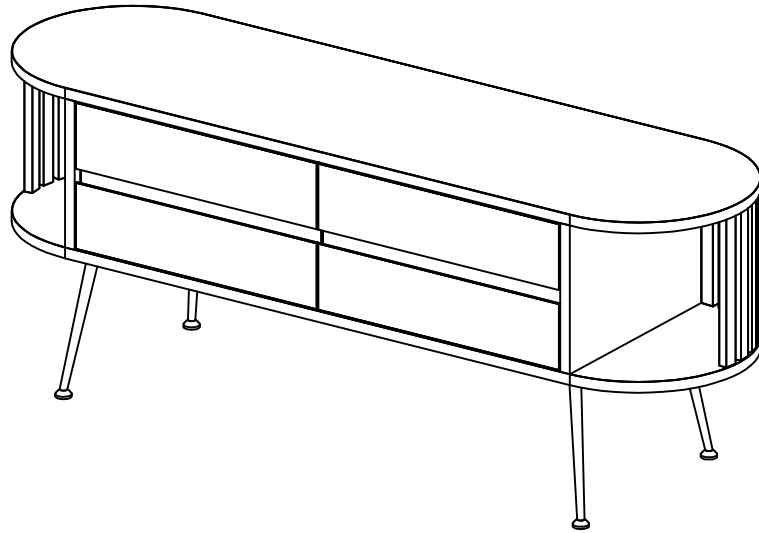
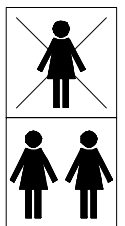
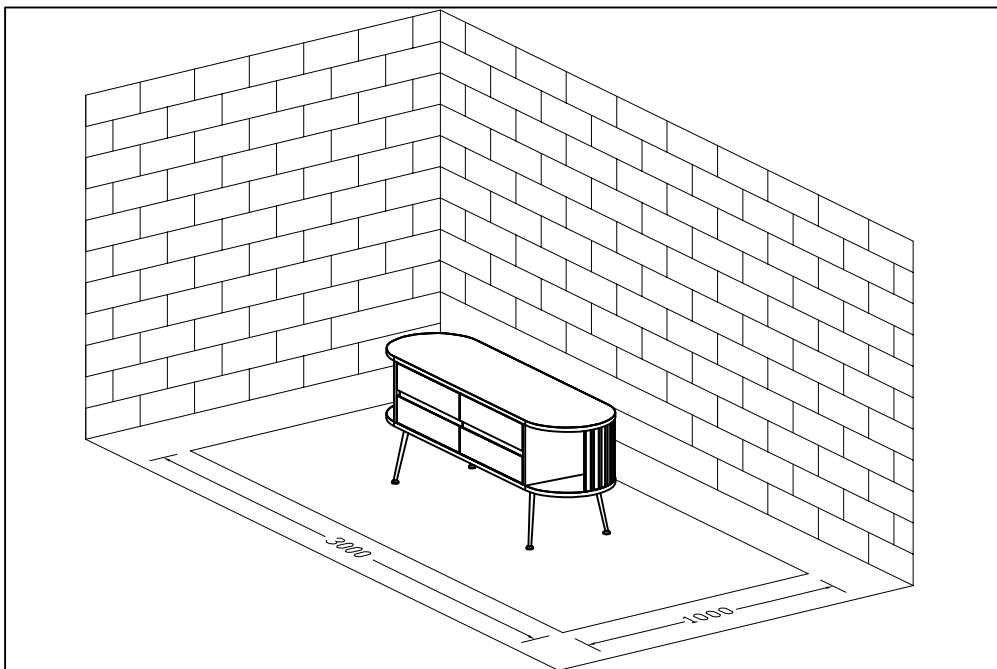


Assembly Instructions

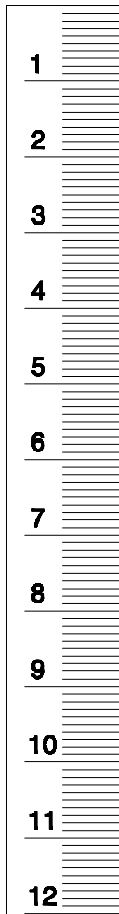
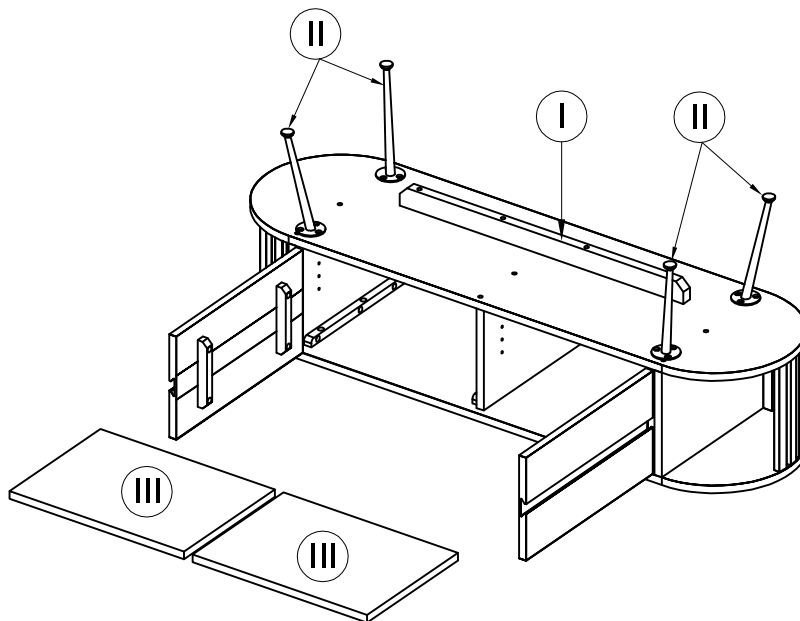
Vira Media Console (Walnut/Gold)

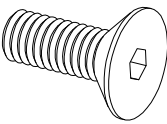
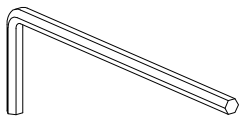
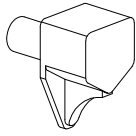


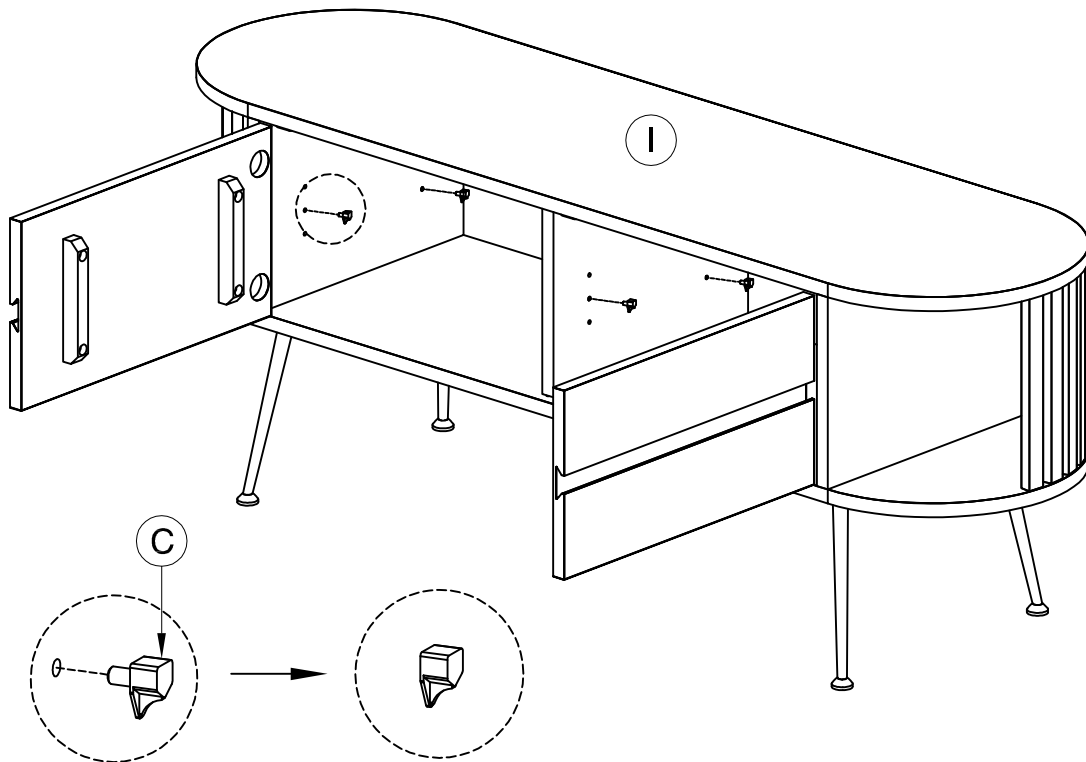
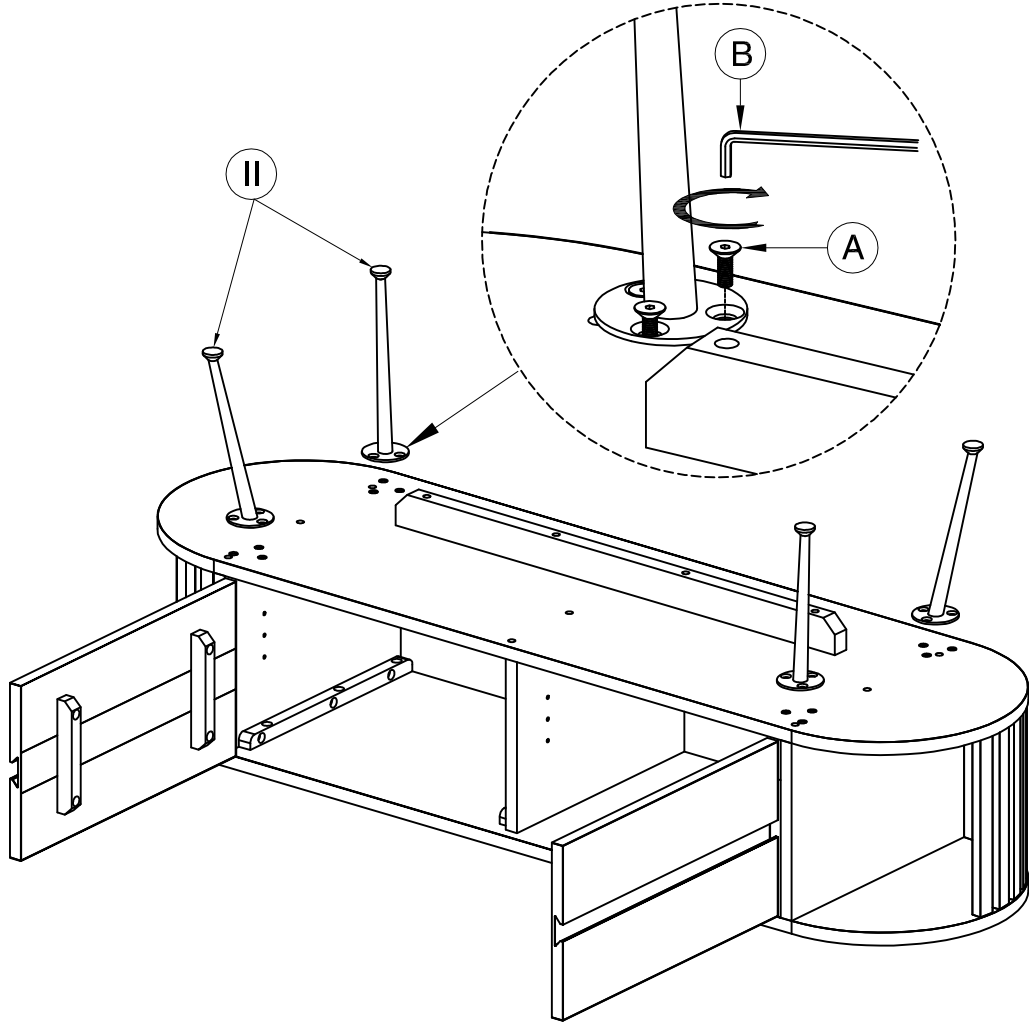
20 MIN

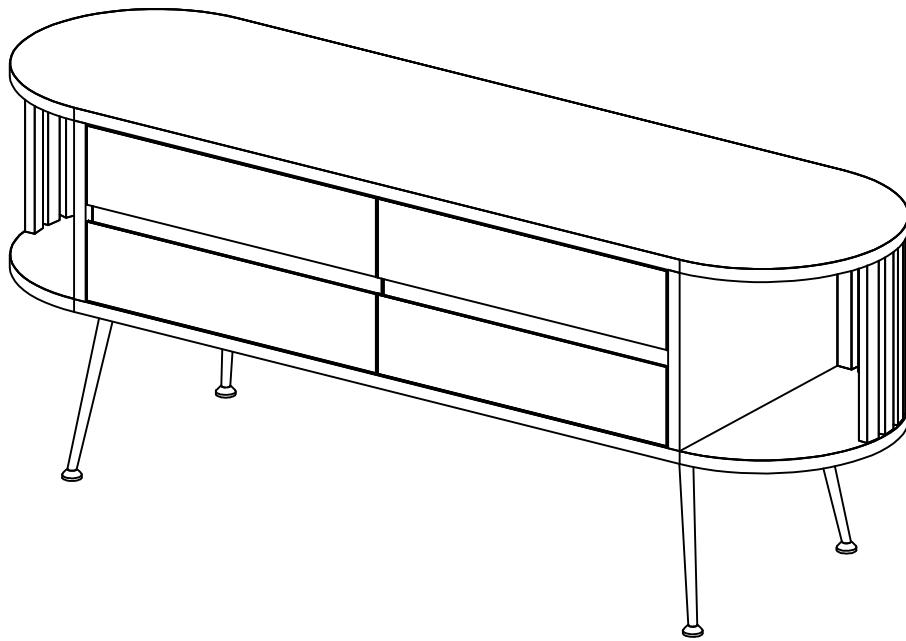
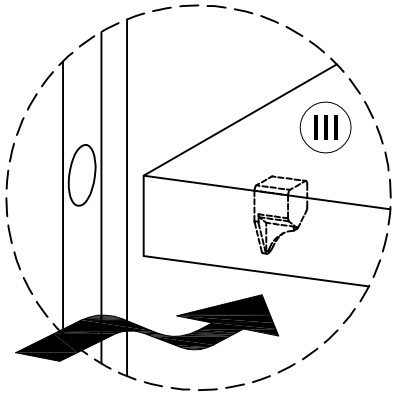
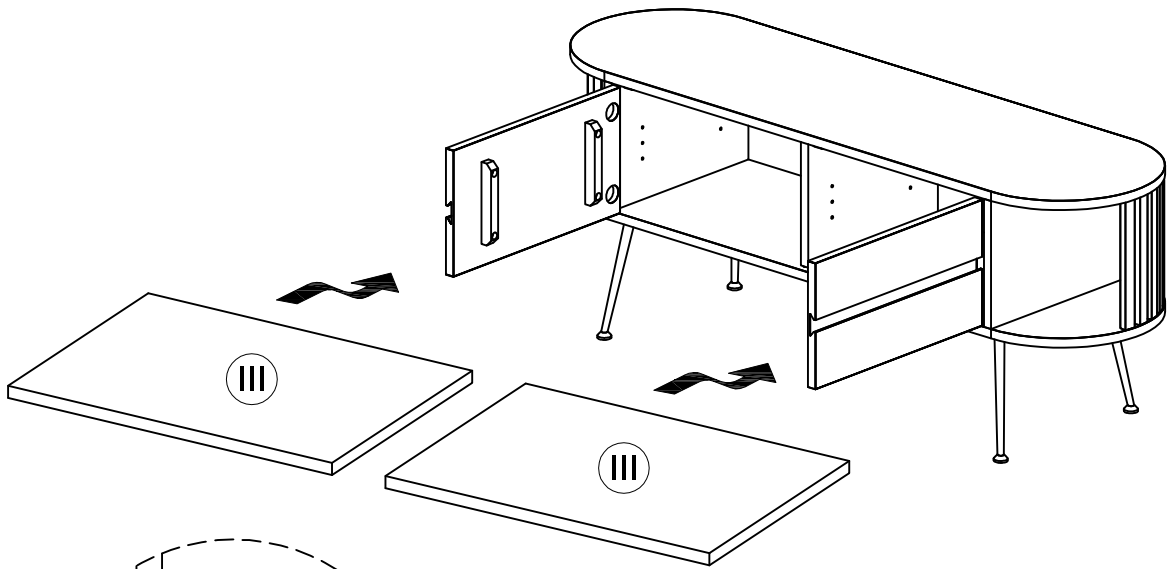


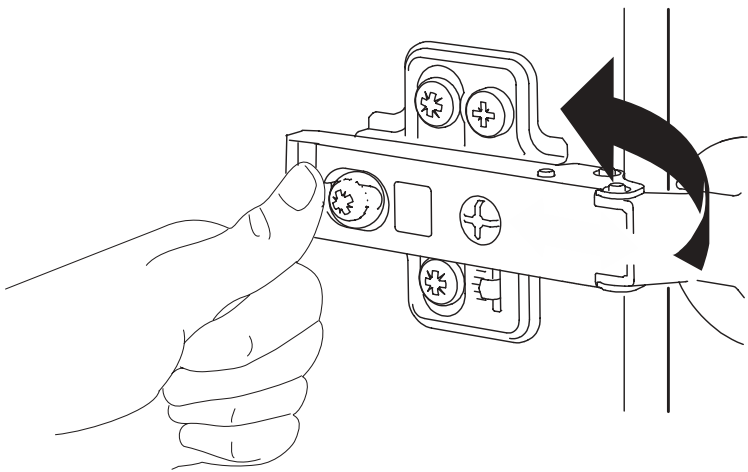
PART ID	QUANTITY	DIMENSIONS (MM)	✓
I	1	1600 x 450 x 470	
II	4	303 x 75 x 64	
III	2	543 x 391 x 19	



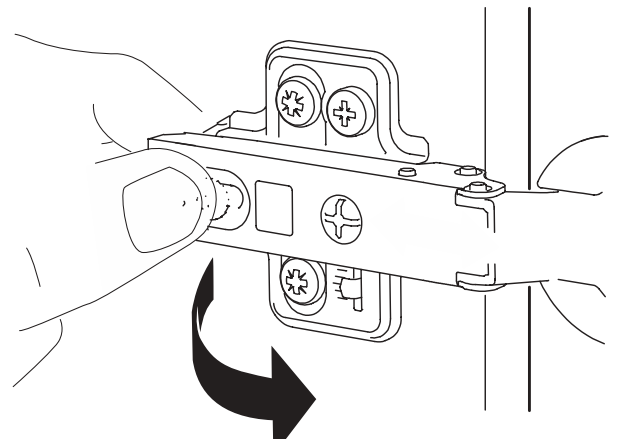
<p>A = 12 PCS <input type="checkbox"/></p>  <p>Ø6 x L15 mm</p>	<p>B = 2 PCS <input type="checkbox"/></p>  <p>Allen key K4</p>	<p>C = 8 PCS <input type="checkbox"/> (Extra= 4pcs)</p>  <p>Plastic support pin</p>
---	---	---



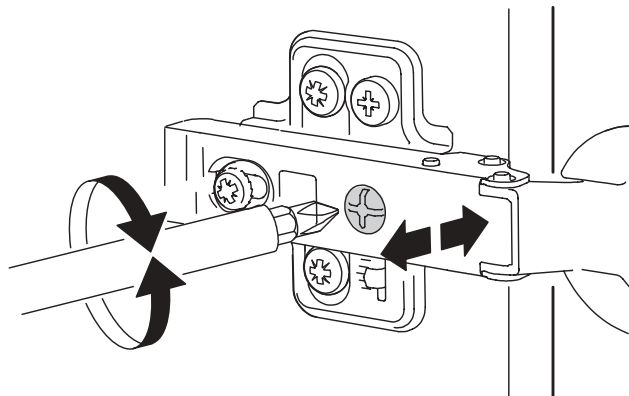
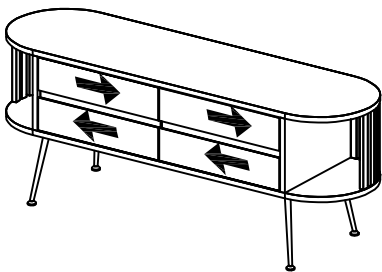
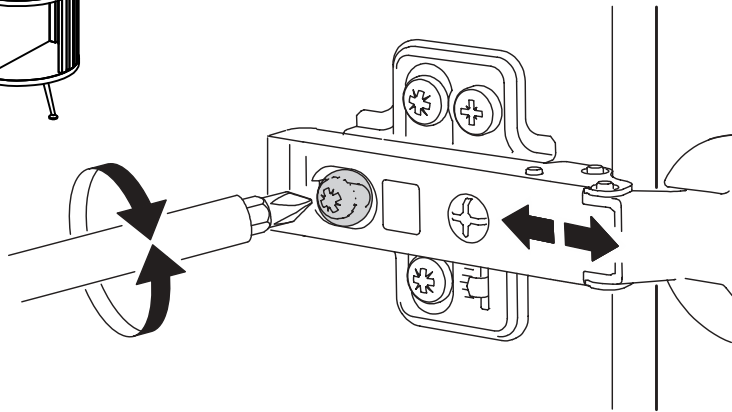
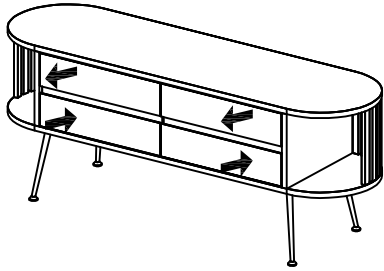




LOCK !



OPEN !



Dear Customer,

Congratulations on your purchase of a piece of furniture made from lacquered, veneered Walnut.

To make sure that you will enjoy many years of satisfaction with your piece of furniture, it is imperative with the right care and maintenance. Kindly follow

the below guidelines, and we guarantee that your unit will stay beautiful in the years to come. It is our recommendation that you ask your furniture

supplier for advice in any instance.

Daily maintenance:

1. Clean the surface with a clean, wrung out cloth. Never use detergents
2. Coloured stains like red wine must be dried off immediately
3. Avoid extreme humidity and heat. Do not place the item close to heat sources
4. 4. Legs for coffee and dining tables must be fastened occasionally